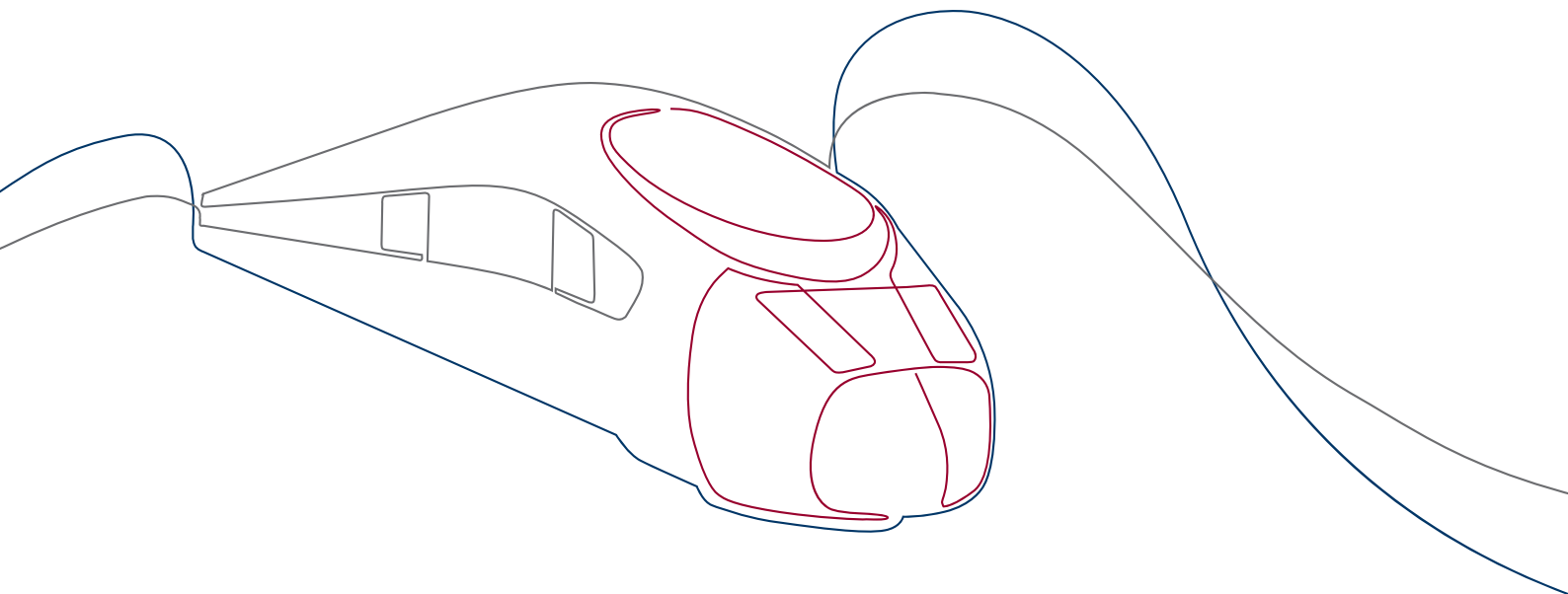


PRODUCTS ACCORDING TO UIC 558 VE



CONNECTORS ACCORDING TO UIC 558 VE



PRODUCT INFO

The connector is used in international transport for vehicles, including locomotives, and connects lines for remote switching, remote control and public address.

Installation guarantees a non-destructive disconnection of plug and socket in the case of separation of two vehicles that have not been electrically decoupled. The connection corresponds to the regulations subject to UIC 558 VE (until 1994: UIC 568 VE).

APPLICATION AREAS

- For remote control and information lines
- For remote switching of lighting, control of doors, transmission of acoustic information and binary data
- The socket and the plug can be equipped on request with special contact inserts according to the customer's requirements
- For refurbishments of rail vehicles
- For use as spare parts

FUNCTION

- Standard versions: 13-pole and 18-pole plug connections. The 18-pole socket is compatible with the 13-pole plug
- A coding is existing
- Current transmission of up to 10 A
- Protection against dust and water according to protective class IP56
- Protection against unintended decoupling
- Short maintenance times with interchangeable insert (optional)

Commitment to quality: We supply this product in accordance with our tested and certified quality standard



IATF 16949
Quality management standard
for the automotive industry



DIN EN 15085 CL1
International welding
certification for railway
vehicles

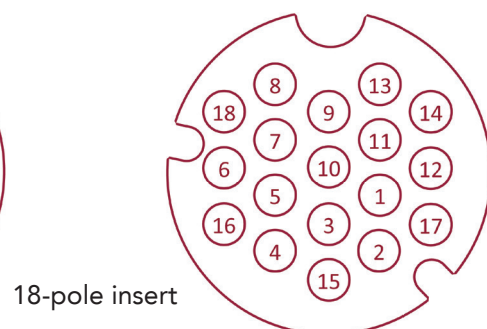
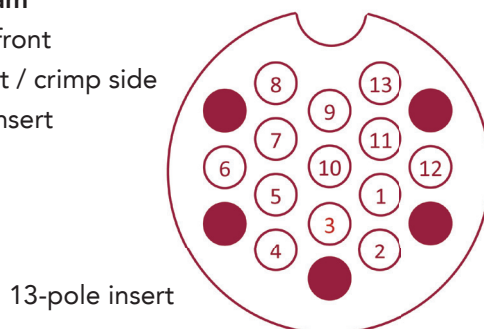


IRIS Certification™ based on ISO/TS 22163:2017
Quality management
standard for the railway
industry

TECHNICAL DATA

Pole arrangement and connection diagram

Looking from the front at the socket insert / crimp side of the connector insert



SPECIFICATION

DESCRIPTION

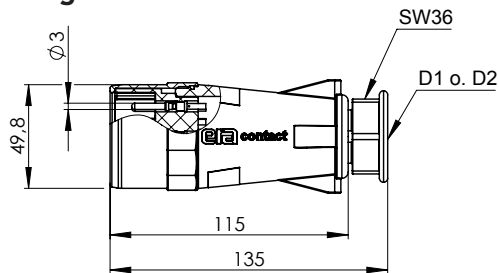
VALUES AND DATA

Standards	UIC 558 VE Protective type (EN 60529) Fire protection	IP56 when not connected EN 45545
Connection type	Number of poles Cable cross section Connection to socket contact Connection to pin contact	13-pole / 18-pole 0.75 ... 1.00 mm ² crimp crimp
Electrical data	Rated voltage Rated current Volume resistance Insulation resistance	60 V 10 A < 2 mΩ > 10 GΩ
Mechanical data	Contact diameter Mechanical service life	3 mm > 10,000 plug cycles
Application conditions	Temperature range	-40 °C ... +90 °C
Materials	Plug housing Receptacle housing Contact insert Seals in the housing Contacts	Thermoplastic, glass-fibre reinforced Cast aluminium Thermoplastic, glass-fibre reinforced wrought copper alloy, coated
Weights	Plug (without cable) Receptacle housing Receptacle housing with interchangeable insert	ca. 200 g ca. 650 g ca. 750 g

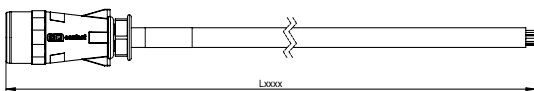
Technical data subject to change.

PLUG & CONNECTION CABLE

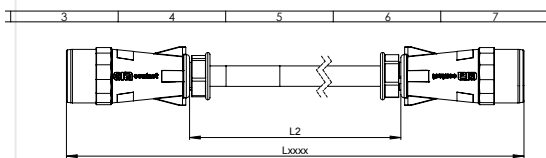
Plug: UIC 558 - S



Connection cable: UIC 558 - AS - Lxxxx



Connection cable: UIC 558 - VS - Lxxxx



Product information

Our connectors are equipped with high-grade components for signal and energy transmission. This product for remote control and information lines will thus fulfil high functional and safety requirements for a long time.



Red colour markings in the 18-pole version

Order options:

Model	UIC 558	
Type	S	plug (without cable)
	AS	connection cable with 1 plug
	VS	connection cable with 2 plugs
Cable length	LXXXX	cable length in mm Other lengths on request
Contacts	PXX	13 pins / poles 18 pins / poles Other inserts on request
Kink protection	DX	for cable diameter 12.5 to 15.5 mm for cable diameter 16.5 to 18.5 mm

Structure of order code

UIC558-S-LXXXX-PXX
UIC558-AS-LXXXX-PXX
UIC558-VS-LXXXX-PXX

Order Code Example

UIC558-AS-L1500-P18

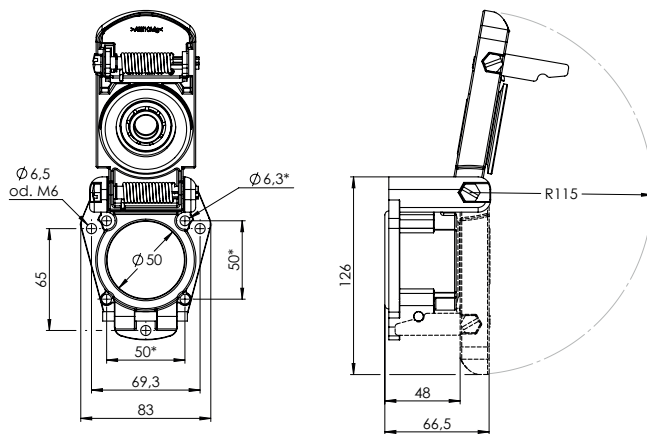
Example of Use

Product UIC 558 onnection cable with 1 plug, 18-pole, length 1,5 m.

INSTALLATION: The contact insert is coded according to the number of poles. The 18-pole socket is compatible with the 13-pole plug.

COUPLING BOX, DUMMY & EMPTY RECEPTACLE

Receptacle: UIC 558 - KDO (identical to KDK, BDO, LDO)



* Installation option with alternative hole pattern

Product information

With its robust construction our socket housing is highly resistant to chemical influences. This means that it is suitable for long-term use in rough conditions.



Red colour marking on the cap in the 18-pole version.

Order options:

Type	KDO	receptacle with insert + sockets
	KDK	receptacle with insert, sockets + cables
	BDO	dummy receptacle with insert but w/o contacts
	LDO	empty receptacle without insert, w/o sockets
	KDO-W	Receptacle with interchangeable insert, crimp adapter + bushings
	KDK-W	Receptacle with interchangeable insert, crimp adapter, bushings + cable
Magnetical Locking	MVX	Magnetical locking solution
Cable length (for KDK)	LXXXX	cable length [mm] Other lengths on request
Contacts	PXX	13 pins + cable screw connection 18 pins + screw connection
Color	RALXXXX	agate grey, RAL 7038 traffic red, RAL 3020 umbra grey, RAL 7022 (Other colors on request)

Structure of order code

UIC558-KDO-PXX-RALXXXX
UIC558-KDK-LXXXX-PXX - RALXXXX
UIC558-BDO-PXX-RALXXXX
UIC558-LDO-RALXXXX
UIC558-KDO-W-PXX-RALXXXX
UIC558-KDK-W-PXX-RALXXXX

Order Code Example

UIC558-KDO-W-P18-RAL9005

Example of Use:

Product UIC 558 socket with interchangeable insert, 18-poles in agate grey

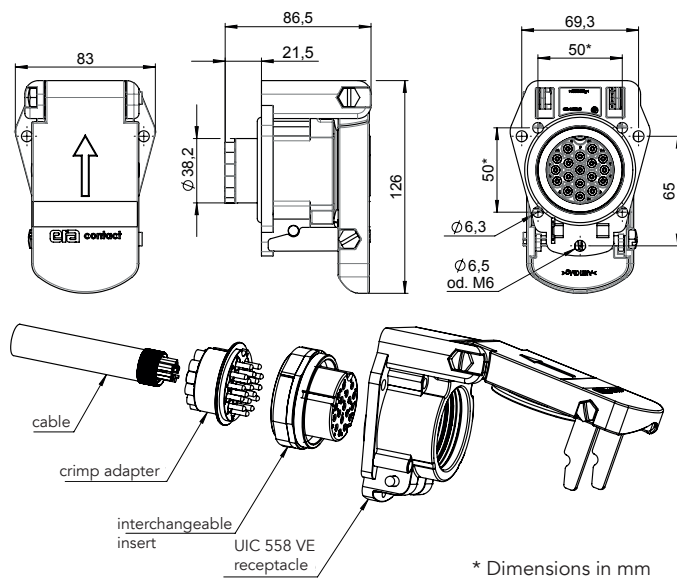
INSTALLATION: The emergency unlocking device guarantees non-destructive disconnection of plug and socket. To ensure this function, the receptacle must be mounted vertically at the ends of the vehicles with the cap opening upwards. It can be mounted with 3 or 4 bolts (see above).

The interchangeable insert is mounted using the additional crimp adapter within the receptacle.

RECEPTACLE WITH INTERCHANGEABLE INSERT

Receptacle: UIC 558 - KDO-W

W 122385-26 (constructed in the same way as KDK)



Product information

Our receptacle with interchangeable insert offers significantly reduced maintenance efforts. Only the interchangeable insert may be replaced on site. New cabling or crimping work is no longer required.



SPARE PARTS AND ACCESSORIES

All parts of the UIC 558 VE can be ordered separately:

Empty socket (**LDO**), female insert (**BE**), cable (**K-LXXXX**), interchangeable insert (**W**), contacts

NAME	DESCRIPTION	ARTICLE NO.
Interchangeable insert	For KDO-W and KDK-W system	072587
Contact pin incl. spring	Perm. wire cross-sections: 0.75 mm ² to 1 mm ²	122024
Double-socket incl. spring	For KDO-W and KDK-W system	122152
Ejector for contacts	Tool for dismantling	072588
Crimping tool DMC FT8		077812



OUR BENEFITS FOR YOU:

- Punctuality
- Consistently high quality all over the world
- Comprehensive service wherever you are in the world
- Years of expertise for your product
- International presence
- On-site engineering service – from prototyping to after-sales
- Original manufacturer
- A team just for you



www.aichele-group.com
www.bremi.de
www.era-contact.com
www.streicherplast.de

aichele GROUP
GmbH + Co. KG
Gewerbstraße 44
75015 Bretten
Deutschland / Germany
Phone +49 (0)70 32 - 9 55 30 0
info@aichele-group.com

BREMI Fahrzeug-Elektrik
GmbH + Co. KG
Grüner Weg 1
19303 Dömitz
Deutschland / Germany
Phone +49 (0)38 758 - 304 0
info@bremi.de

BREMI Fahrzeug-Elektrik
GmbH + Co. KG
Vertriebs- und Logistikzentrum
Einsteinstraße 1
71083 Herrenberg
Deutschland / Germany
Phone +49 (0)70 32 - 955 30 0
info@bremi.de

streicherplast GmbH + Co. KG
Friedhofstraße 4
78588 Denkingen
Deutschland / Germany
Phone +49 (0)74 24 98 17-0
info@streicherplast.de

era-contact GmbH Germany
Gewerbstrasse 44
75015 Bretten-Gölshausen
Deutschland / Germany
Phone +49 (0)72 52 - 971 0
info.germany@era-contact.de

era-contact Tunisia S.A.R.L.
Hriza
7026 El Azib, Bizerte
Tunesien / Tunisia
Phone +216 72 - 45 10 10
info.tunisia@era-contact.de

era-contact (Suzhou) Co., Ltd.
Building P,
No. 9 Chang Yang Street,
Suzhou Industrial Park
Jiangsu, 215024, P.R. China
Phone +86 512 - 6299 1800
info.china@era-ct.com

era-contact Turkey
Demiryolu Sistemleri San.
ve Tic. Ltd. Sti.
Cerkesli OSB Mahallesi,
Imes-9 Caddesi, No:31,
41455 Dilovasi, Kocaeli
Türkei / Turkey
Phone +90 532 504 38 09
info.turkey@era-contact.com.tr

era-contact USA, LLC
1475 Smith Grove Road
Liberty, SC 29657
USA
Phone +1 (631) 524-5530
info.usa@era-contact.com