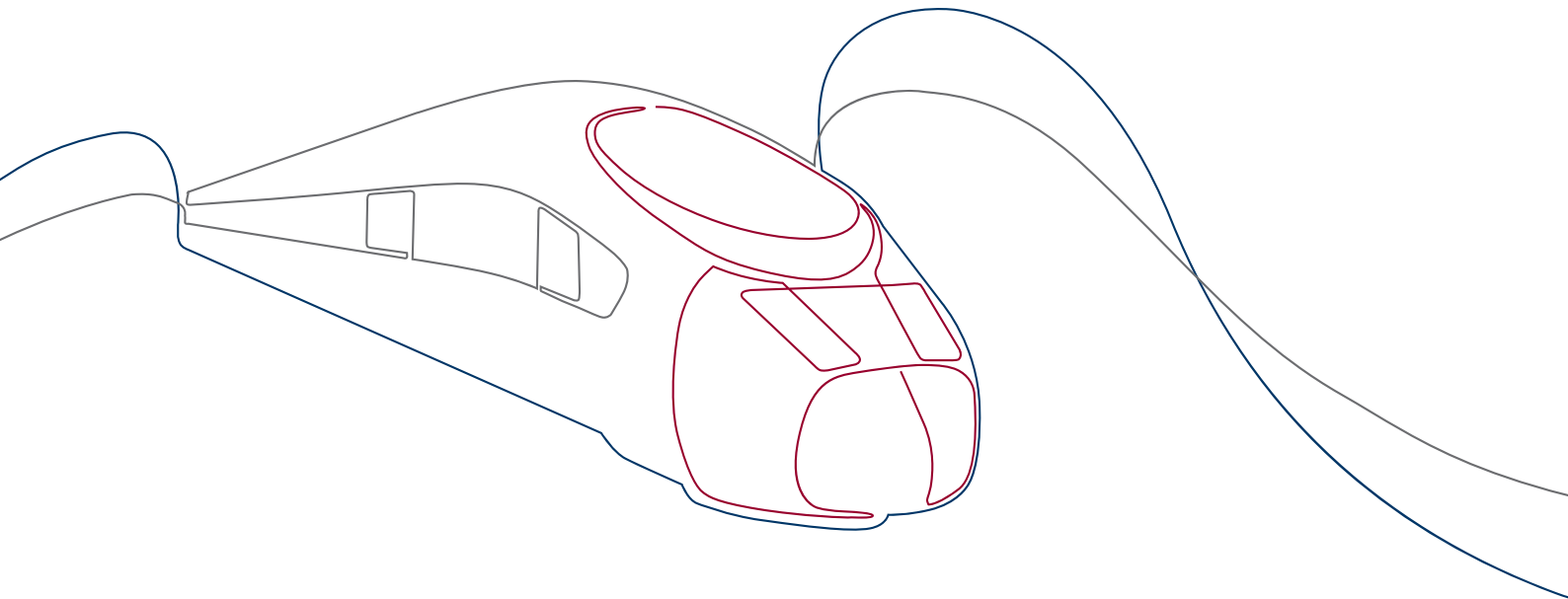


PRODUCTS ACCORDING TO UIC 541 VE



PRODUCTS ACCORDING TO UIC 541 VE



PRODUCT INFO

Components:

- Receptacle
- Coupling plug
- Dummy receptacle
- Connector cable with plug
- Jumper cable with two plugs

Optional versions:

- Water drain on the receptacle
- Pilot contact (detection of the end of the train – dummy receptacle)
- With quick-break switch to detect the status of the receptacle and plug
- M40 x 1.5 end shell – plastic (other versions available on request)

AREA OF USE

- The UIC 541 VE is used in traction units and passenger cars for power transfer and signal transmission of the ep* emergency brake and EBO* (EBR*)
- In freight wagons, the UIC 541 VE is used for power transfer and signal transmission of the ep* emergency brake.

*ep = electro-pneumatic
 *EBO = emergency brake override
 *EBR = emergency brake request

FUNCTION

- Manual coupling system designed in accordance with UIC 541-5 and UIC 541-6 VE
- High-quality components with a robust design
- State of the art with an innovative design
- Feedback relating to presence of the plug (optionally via quick-break switch)
- Feedback relating to the end of the train (optionally via pilot contact in the dummy receptacle)

Commitment to quality: We supply this product in accordance with our tested and certified quality standard



IATF 16949
 Quality management standard for the automotive industry



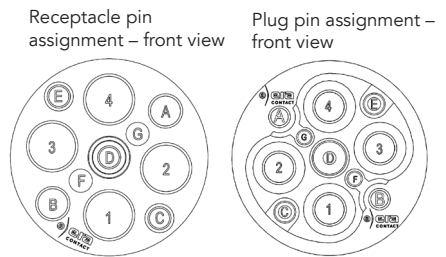
DIN EN 15085 CL1
 International welding certification for railway vehicles



IRIS Certification™ based on ISO/TS 22163:2017
 Quality management standard for the railway industry

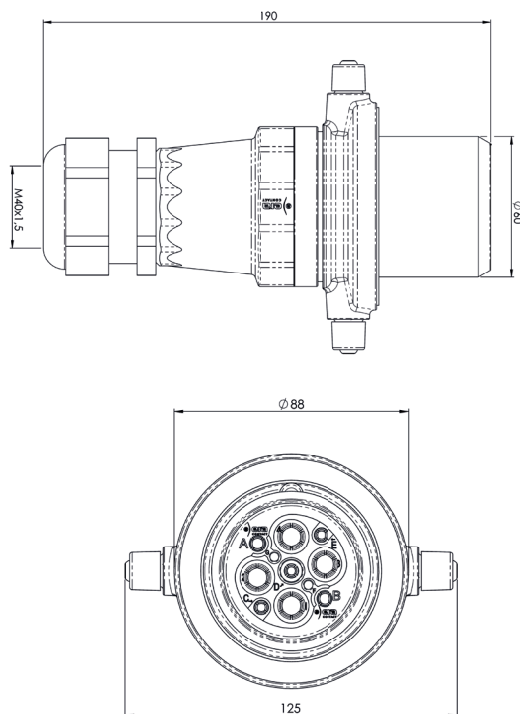
TECHNICAL DATA OF THE UIC 541 VE

SPECIFICATIONS	DESCRIPTION	VALUES AND DATA
Standards	Design	UIC 541 VE
	Degree of protection	At least IP66 up to IP69 in accordance with EN 60529 when plugged in or unplugged with closed receptacle (other versions on request)
Connection type Other option:	Fire protection	EN 45545-2
	Number of poles	Without quick-break switch: 9-pole With quick-break switch: 9-pole (with 11-pole cable)
Electrical characteristics	Connection to female contact	Crimp
	Connection to male contact	Crimp
	Rated voltage	250 V
	Rated current:	35 A 25 A 6 A 12 A
Electrical characteristics	· Contact 1, 2, 3, 4	
	· Contact A, B	
Electrical characteristics	· Contact C, E	
	· Contact D	
Electrical characteristics	Volume resistance	$\leq 2 \text{ m}\Omega$
	Mechanical characteristics	Cable cross-section:
· Contact 1, 2, 3, 4		10 mm ²
· Contact A, B		6 mm ²
· Contact C, E		0,75-1 mm ²
Mechanical characteristics	· Contact D	2,5 mm ²
	Contact diameter:	
	· Contact 1, 2, 3, 4	7 mm
	· Contact A, B	4 mm
Mechanical characteristics	· Contact C, E	3 mm
	· Contact D	3 mm
Mechanical characteristics	Mechanical service life/ plug cycles	> 10.000
	Operating conditions	Temperature range
Materials		Plug shell
	Receptacle shell	Cast aluminum
	Contact carrier	Thermoplastic, PA-based
	Sealing parts	Elastomers, silicones
	Contact material	Wrought copper
	alloy Contact surface:	
	· Contact 1, 2, 3, 4	Silver
· Contact A, B	Silver	
· Contact C, E	Gold	
· Contact D	Gold	



PLUG UIC 541 VE

Plug: UIC 541 VE



Product information

Our plugs are equipped with high-quality components for signal transmission and power transfer. As a result, this product for remote control and information lines meets high functional and safety requirements for railway transport on a long-term basis.

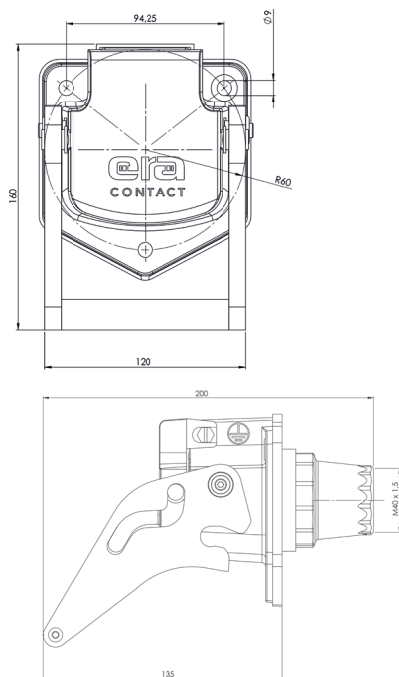


Plug shell, RAL 9005 deep black

TYPE	ORDER CODE	DESCRIPTION
DESIGN	UIC 541 VE	The connector in accordance with UIC 541 VE for power transfer and signal transmission of the ep* emergency brake and EBO* (EBR*)
PRODUCT	UIC541-VS-LXXXX-RALXXXX	UIC 541 VE jumper cable with two plugs; cable length according to customer requirements, color: RAL 9005 deep black
	UIC541-AS-LXXXX-RALXXXX	UIC 541 VE connector cable with a plug; cable length according to customer requirements, color: RAL 9005 deep black

RECEPTACLE & DUMMY RECEPTACLE UIC 541 VE

Receptacle: UIC 541 VE-KDO



Product information

Our receptacle shell boasts increased resistance to chemical influences thanks to its robust design. This ensures that it can be used under challenging conditions on a long-term basis.



Receptacle shell, RAL 9005 deep black

TYPE	ORDER CODE	DESCRIPTION
DESIGN	UIC 541 VE	The connector in accordance with UIC 541 VE for power transfer and signal transmission of the ep* emergency brake and EBO* (EBR*)
PRODUCT	UIC541-KDO-RALXXXX	UIC 541 VE receptacle + end shell including screw connection M40 + optional: quick-break switch + optional: drainage slots; color: RAL 9005 deep black
	UIC541-KDK-LXXXX-RALXXXX	UIC 541 VE receptacle + end shell including screw connection M40 + optional: quick-break switch + optional: drainage slots + connector cable; cable length according to customer requirements, color: RAL 9005 deep black
	UIC541-BDO-PX-RALXXXX	UIC 541 VE dummy receptacle with drainage slots without plastic end shell M40 optional: pilot contact ; color: RAL 9005 deep black





OUR BENEFITS FOR YOU:

- Punctuality
- Consistently high quality all over the world
- Comprehensive service wherever you are in the world
- Years of expertise for your product
- International presence
- On-site engineering service – from prototyping to after-sales
- Original manufacturer
- A team just for you



www.aichele-group.com
www.bremi.de
www.era-contact.com
www.streicherplast.de

aichele GROUP
GmbH + Co. KG
Gewerbstraße 44
75015 Bretten
Deutschland / Germany
Phone +49 (0)70 32 - 9 55 30 0
info@aichele-group.com

BREMI Fahrzeug-Elektrik
GmbH + Co. KG
Grüner Weg 1
19303 Dömitz
Deutschland / Germany
Phone +49 (0)38 758 - 304 0
info@bremi.de

BREMI Fahrzeug-Elektrik
GmbH + Co. KG
Einsteinstraße 1
71083 Herrenberg
Deutschland / Germany
Phone +49 (0)70 32 - 955 30 0
info@bremi.de

streicherplast GmbH + Co. KG
Friedhofstraße 4
78588 Denkingen
Deutschland / Germany
Phone +49 (0)74 24 98 17-0
info@streicherplast.de

era-contact GmbH Germany
Gewerbstrasse 44
75015 Bretten-Gölshausen
Deutschland / Germany
Phone +49 (0)72 52 - 971 0
info.germany@era-contact.de

era-contact Tunisia S.A.R.L.
Hriza
7026 El Azib, Bizerte
Tunesien / Tunisia
Phone +216 72 - 45 10 10
info.tunisia@era-contact.de

era-contact (Suzhou) Co., Ltd.
Building P,
No. 9 Chang Yang Street,
Suzhou Industrial Park
Jiangsu, 215024,
P.R. China
Phone +86 5 12 - 6299 1800
info.china@era-ct.com

era-contact Turkey
Demiryolu Sistemleri San.
ve Tic. Ltd. Sti.
Cerkesli OSB Mahallesi,
Imes-9 Caddesi, No:31,
41455 Dilovasi, Kocaeli
Türkei / Turkey
Phone +90 532 504 38 09
info.turkey@era-contact.com.tr

era-contact USA, LLC
1475 Smith Grove Road
Liberty, SC 29657
USA
Phone +1 (631) 524-5530
info.usa@era-contact.com